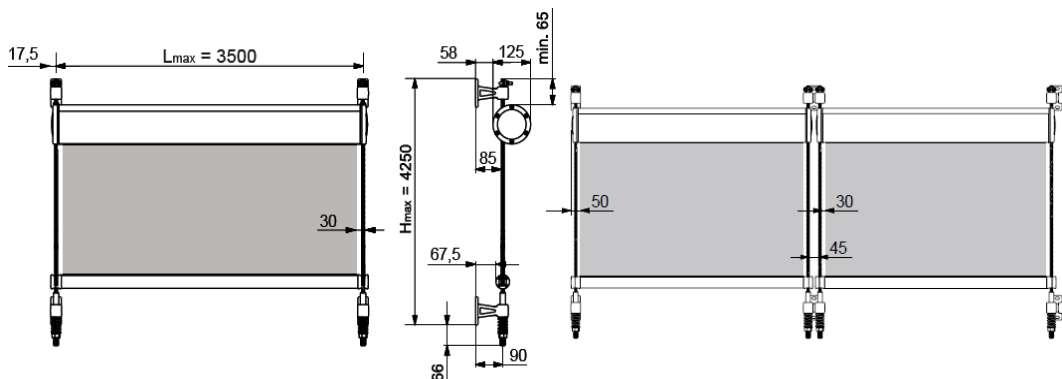




# R125 ORDER FORM

ELECTRIC DRIVE	MECHANICAL STOPS	ELECTRONIC STOPS	RATIO	STANDARD	ELERO	SOMFY
AXIS	X			DMASS	VstEco	JET
NEMO WT	X				SUNTOP	ALTUS WT
NEMO	X	X		DMASEAFS	SUNTOP 888	ALTUS RTS
NEMO IO	X	X				SUNLUS IO



SELT COLLECTION COLOURS	BEIGE				WHITE				LIGHT GREY				DARK GREY				ANTHRACITE		BLACK		BROWN		RED	BLUE	YELLOW
	VSR 240	RAL 1015	RAL 1013	RAL 9001	RAL 9010	RAL 9016	RAL 7035	RAL 9006	RAL 7001	RAL 7037	RAL 9007	RAL 7012	DB 703	FSM 71319	RAL 7015	RAL 7024	RAL 7016	RAL 7021	RAL 9005	RAL 8014	RAL 8016	VSR 780	RAL 3004	RAL 5014	RAL 1006
SYSTEM CONSTRUCTION																									

FABRIC	3,5x4,25							3,5x2,8	FABRIC COLOUR AND NUMBER	METALISATION		OTHER RAL COLOUR
	SUNWORKER	SOLTIS 92	SCREEN 350	SERGE 600	SERGE 1%	POLYSCREEN 550	POLYSCREEN LUMINOUS	ACRYLIC AWNING FABRICS		FRONT	BACK	

\* Reflektol 125 - width measured in axis of the brackets

### REMARKS

No.	WIDTH* MEASURED IN AXIS OF THE BRACKETS mm	TOTAL WIDTH mm	QUANTITY pcs.	DRIVE SIDE L R FRONT	MODULAR
1					
2					
3					
4					
5					
6					
7					
8					
9					
10					
11					
12					
13					
14					
15					
16					

ELECTRIC CONTROL ORDER FORM ATTACHED

### DELIVERY ADDRESS

The Buyer hereby declares that they speak fluent English, understand the statements received and submitted in English, orders submitted, and to have read and accepted General Sales Terms and Conditions, General Warranty Terms and Conditions, Technical-operational documentation and Declaration of performance for external systems, Declaration of Conformity for systems with motor drive and information on safety elements installation for internal systems operated with cord and ball chain, available at <https://www.selt.com/dokumenty-en>.

ORDERING COMPANY, DATE, SIGNATURE